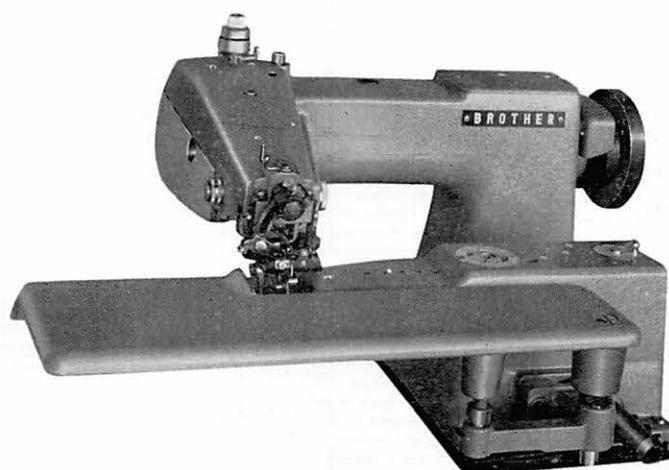


PARTS BOOK
FOR
BROTHER MODEL CM2-B931, B932



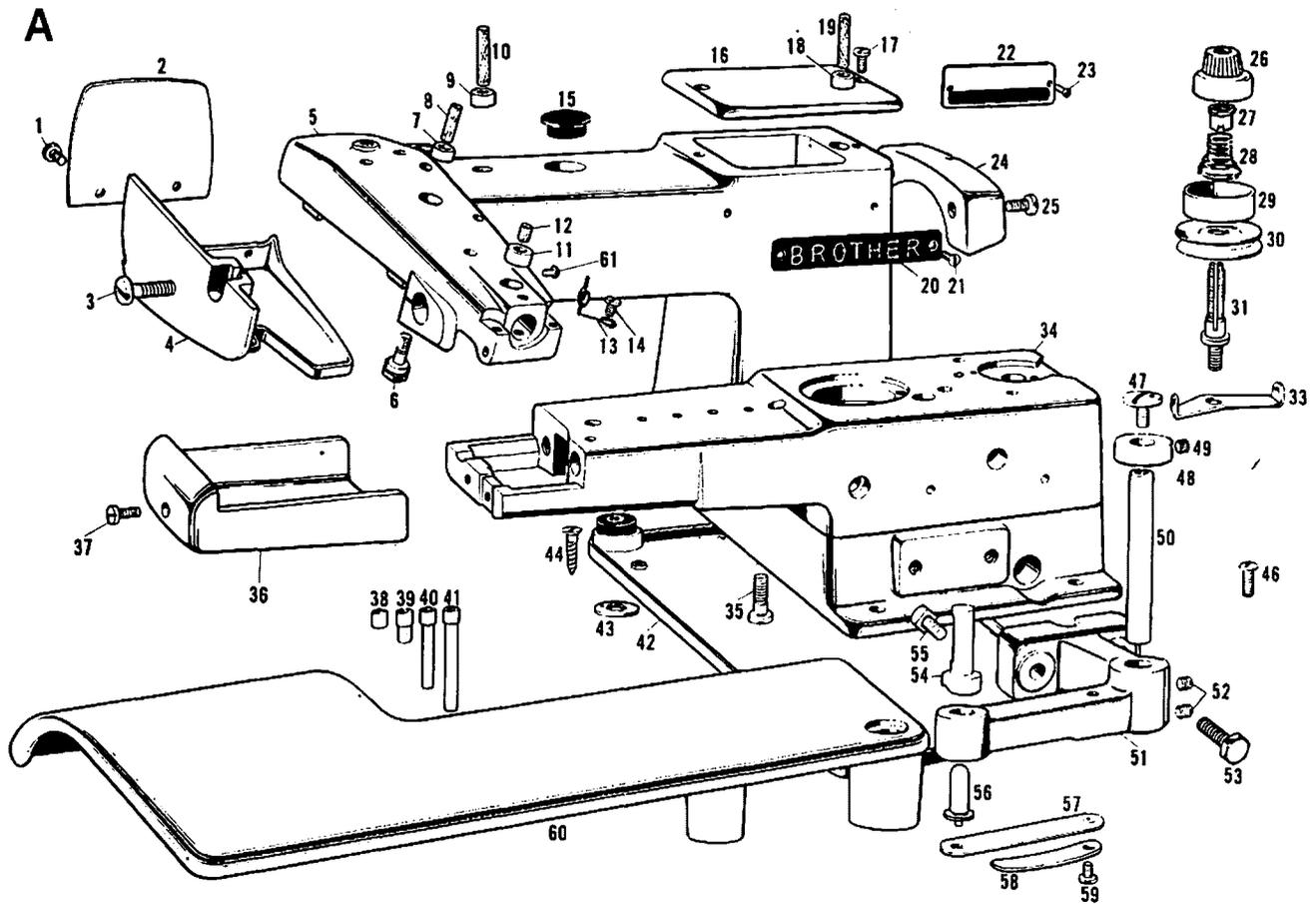
Please clarify Ref. No. and
Parts No. as well as parts name
When you place an order.

BROTHER INDUSTRIES, LTD.
NAGOYA, JAPAN.

PARTS BOOK for CM2-B931-1, B932-1

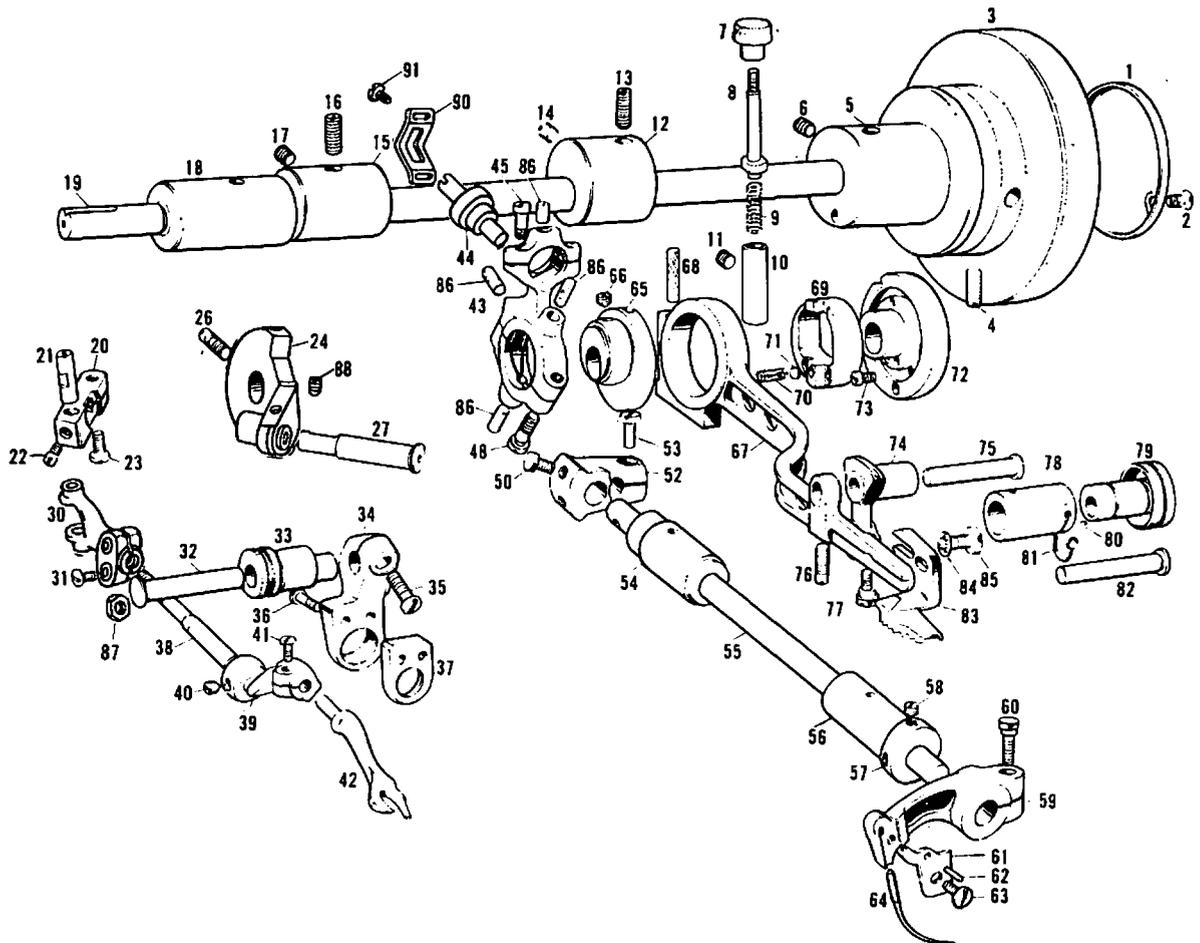
I N D E X

| Parts No. | Ref. No. | Remark | Parts No. | Ref. No. | Remark | Parts No. | Ref. No. | Remark | Parts No. | Ref. No. | Remark |
|-------------|-----------|--------|-------------|------------|--------|-------------|-----------|--------|-------------|-----------|--------|
| 013780-8-14 | B.A-52 | | 110033-0-01 | A-53 | | 110188-0-00 | C-11 | | 140503-0-01 | E-45 | |
| 017781-4-12 | E-10 | | 110034-0-01 | A-56 | | " | D-36 | | 140530-0-01 | D-15 | |
| 071039-7-50 | B-71,C-10 | | 110035-0-01 | A-57 | | 110190-0-01 | D-34 | | 140714-0-01 | D-40 | |
| " | D-37 | | 110036-0-01 | A-58 | | 110191-0-01 | D-39 | | 141123-0-01 | C-56 | |
| 100013-0-03 | B-14 | | 110038-0-00 | A-4 | | 110192-0-01 | D-1-6 | | 141124-0-01 | C-55 | |
| " | B-17 | | 110039-0-01 | A-2 | | 110193-0-00 | D-2 | | 142579-0-01 | A-8 | |
| 100016-0-03 | B-4 | | 110040-0-01 | A-3 | | 110194-0-00 | D-1 | | 143252-0-01 | A-22 | |
| " | B-13 | | 110042-0-00 | B-7-10 | | 110195-0-01 | D-4 | | 143253-0-01 | A-22 | |
| " | B-16 | | 110043-0-00 | B-10 | | 110196-0-00 | D-3 | | 143897-0-01 | A-42 | |
| 100058-0-03 | A-49 | | 110044-0-01 | B-7 | | 110197-0-01 | D-5 | | 143932-0-01 | D-24 | |
| 100061-0-01 | B-15 | | 110045-0-01 | B-8 | | 110199-0-01 | D-12 | | 143935-0-01 | D-27 | |
| 100068-0-02 | A-25 | | 110046-0-00 | B-9 | | 110201-0-01 | D-13 | | 144105-0-00 | A-27 | |
| 100074-0-02 | C-59 | | 110049-0-01 | A-46 | | 110202-0-01 | B-1 | | 144110-0-01 | A-28 | |
| 100080-0-01 | C-12 | | 110050-0-00 | A-38 | | 110203-0-01 | D-9 | | 144227-0-01 | Z-13 | |
| 100080-0-03 | C-70 | | 110052-0-00 | A-39 | | 110206-0-01 | D-20 | | 144883-0-01 | B-3 | |
| 100095-0-00 | C-68 | | 110054-0-00 | A-40 | | 110208-0-01 | D-22 | | 145165-0-01 | B-72 | |
| 100119-0-01 | A-43 | | 110056-0-00 | A-41 | | 110209-0-01 | D-26 | | 145166-0-01 | B-69 | |
| 100191-0-03 | A-21 | | 110059-0-01 | B-19 | | 110210-0-00 | B-5 | | 145167-0-01 | B-67 | |
| 100218-0-02 | B-58 | | 110060-0-01 | B-12 | | 110214-0-01 | D-16 | | 145171-0-01 | B-73 | |
| " | E-28 | | 110065-0-00 | B-70 | | 110215-0-01 | D-17 | | 145173-0-00 | B-43 | |
| 100251-0-01 | C-72 | | 110067-0-01 | D-28 | | 110218-0-01 | D-18 | | 145174-0-01 | B-48 | |
| 100257-0-07 | B-63 | | 110069-0-01 | B-76 | | 110220-0-01 | D-14 | | 145175-0-01 | B-45 | |
| 100289-0-01 | E-25 | | 110070-0-01 | B-83 | | 110223-0-01 | E-6 | | 145176-0-01 | B-65 | |
| 100368-0-01 | D-10 | | 110071-0-01 | B-84 | | 110224-0-01 | E-1 | | 145177-0-01 | B-66 | |
| 100368-0-02 | A-17 | | 110072-0-01 | B-85 | | 110225-0-01 | E-2 | | 145178-0-01 | B-44 | |
| 100393-0-05 | D-29 | | 110073-0-01 | B-74 | | 110226-0-01 | E-3 | | 145179-0-01 | B-90 | |
| 100447-0-00 | Z-15 | | 110074-0-01 | B-75 | | 110228-0-00 | E-7 | | 145180-0-01 | B-91 | |
| 100463-0-01 | A-55 | | 110076-0-01 | B-77 | | 110230-0-01 | E-9 | | 145181-0-01 | B-24 | |
| 100472-0-01 | Z-7 | | 110083-0-00 | B-52 | | 110232-0-01 | E-15 | | 145184-0-01 | B-22 | |
| 100522-0-02 | A-37 | | 110085-0-01 | B-53 | | 110233-0-01 | E-16 | | " | B-88 | |
| " | E-36 | | 110087-0-01 | B-50,E-48 | | 110234-0-00 | E-11 | | 145185-0-01 | B-27 | |
| 100541-0-01 | A-1 | | 110089-0-01 | B-55 | | 110235-0-01 | E-12 | | 145186-0-01 | B-26 | |
| " | A-37 | | 110090-0-01 | B-57 | | 110236-0-01 | E-13 | | 145187-0-01 | B-20 | |
| " | E-4 | | 110092-0-01 | B-60 | | 110237-0-01 | E-17 | | 145188-0-01 | B-21 | |
| 100887-0-01 | Z-3 | | 110093-0-01 | B-61 | | 110243-0-01 | E-44 | | 145189-0-01 | B-30 | |
| 101118-0-01 | A-44 | | 110094-0-00 | B-62 | | 110249-0-01 | E-39 | | 145190-0-00 | B-38 | |
| 102629-0-04 | Z-6 | | 110105-0-01 | A-10 | | 110250-0-01 | E-32 | | 145191-0-01 | B-31 | |
| 102716-0-01 | D-6 | | " | A-19 | | 110251-0-01 | E-33 | | 145192-0-01 | B-36 | |
| 102716-0-03 | C-54 | | " | B-68 | | 110252-0-01 | E-34 | | " | B-41 | |
| " | D-23 | | 110119-0-01 | B-33 | | 110258-0-00 | E-27 | | 145193-0-01 | B-23 | |
| 102853-0-01 | E-8 | | 110120-0-01 | B-32 | | 110259-0-01 | E-20 | | " | B-34-37 | |
| 104449-0-01 | A-15 | | 110121-0-01 | B-42 | | 110260-0-01 | E-23 | | 145194-0-01 | B-39,40 | |
| 104689-0-01 | C-58 | | 110124-0-01 | C-24 | | 110261-0-01 | E-24 | | 145195-0-00 | B-34 | |
| 105213-0-01 | D-44 | | " | C-28 | | 110262-0-00 | E-26 | | 145196-0-00 | B-37 | |
| 105328-0-03 | C-49 | | 110126-0-01 | C-21 | | 110263-0-01 | A-28-31 | | 145197-0-01 | B-35 | |
| 105344-0-01 | Z-5 | | 110129-0-00 | C-19 | | 110264-0-01 | A-31 | | 145198-0-01 | B-39 | |
| 105955-0-01 | B-2 | | 110130-0-01 | C-20 | | 110265-0-01 | A-29 | | 145200-0-01 | C-16 | |
| 107055-0-01 | D-21 | | 110131-0-00 | C-22 | | 110266-0-01 | A-33 | | 145204-0-01 | C-18 | |
| 107086-0-01 | C-15 | | 110132-0-00 | C-23 | | 110268-0-01 | A-26 | | 145222-0-01 | E-31 | |
| " | C-32 | | 110134-0-01 | C-45,46,50 | | 110271-0-01 | A-13 | | 145223-0-00 | E-29 | |
| " | C-60 | | 110136-0-01 | C-46 | | 110272-0-01 | A-14 | | 145224-0-01 | E-30 | |
| 107155-0-01 | A-12 | | 110137-0-01 | C-48 | | 110325-0-01 | A-24 | | 145225-0-01 | E-37 | |
| 107274-0-01 | A-59 | | 110140-0-01 | C-51 | | 110410-0-01 | A-34 | | 145228-0-01 | E-38 | |
| 107343-0-01 | C-40 | | 110141-0-00 | C-61 | | 110411-0-01 | C-16 | | 145229-0-01 | E-39 | |
| 107780-0-01 | Z-2 | | 110142-0-01 | C-62 | | 110413-0-01 | C-69 | | 145230-0-01 | E-42 | |
| 108962-0-01 | Z-9 | | 110144-0-01 | C-63 | | 110415-0-01 | A-36 | | 145231-0-01 | E-43 | |
| 109854-0-01 | Z-14 | | 110145-0-01 | C-65 | | 110416-0-01 | D-41-44 | | 145232-0-01 | E-40 | |
| 110001-0-01 | A-5 | | 110146-0-01 | C-64 | | 110418-0-01 | D-42 | | 145233-0-01 | E-41 | |
| 110002-0-00 | B-5 | | 110147-0-01 | C-52 | | 110419-0-01 | D-43 | | 145234-0-01 | E-35 | |
| 110003-0-00 | B-18 | | 110148-0-01 | C-55 | | 110420-0-01 | E-31 | | 145235-0-01 | B-87 | |
| 110004-0-00 | E-14 | | 110149-0-00 | C-57 | | 110421-0-01 | E-37,38 | | 145236-0-01 | B-67,69 | |
| 110005-0-00 | D-7 | | 110151-0-01 | C-56 | | 110422-0-01 | E-42,43 | | " | B-72 | |
| 110006-0-00 | C-47 | | 110152-0-01 | C-53 | | 110424-0-01 | E-40 | | " | B-20-24 | |
| 110007-0-01 | A-16 | | 110155-0-01 | C-66 | | 110425-0-01 | C-56 | | " | B-26,27 | |
| 110008-0-00 | B-54 | | 110158-0-01 | C-33 | | 110431-0-01 | D-32 | | 145237-0-01 | B-30,31 | |
| 110009-0-00 | B-56 | | 110159-0-00 | C-29 | | 110436-0-01 | Z-1 | | " | B-38,41 | |
| 110011-0-01 | A-7 | | 110160-0-01 | C-25 | | 110878-0-01 | Z-16 | | " | B-87,88 | |
| " | A-9 | | 110161-0-02 | C-26 | | 110995-0-01 | B-78-82 | | 145241-0-01 | E-29,30 | |
| " | A-11 | | 110162-0-01 | C-44 | | 110996-0-01 | B-79 | | 145277-0-03 | Z-11 | |
| " | A-18 | | 110163-0-00 | C-31 | | 110999-0-00 | B-78 | | 145446-0-01 | A-30 | |
| 110013-0-03 | B-14 | | 110165-0-00 | C-27 | | 111000-0-01 | B-81 | | 146353-0-00 | C-34 | |
| 110015-0-00 | E-22 | | 110166-0-00 | C-38 | | 111001-0-01 | B-80 | | 147311-0-14 | B-64,Z-15 | |
| 110016-0-01 | A-6 | | 110167-0-01 | C-37 | | 111002-0-01 | B-82 | | 180167-0-01 | C-3,4,6 | |
| 110017-0-01 | B-6 | | 110168-0-01 | C-36 | | 112528-0-01 | A-20 | | 180929-0-01 | E-45-48 | |
| " | D-8 | | 110169-0-00 | C-35 | | 112735-0-00 | C-17 | | 181083-0-01 | C-14,15 | |
| 110018-0-01 | B-11 | | 110170-0-01 | C-39 | | 114483-0-01 | Z-12 | | 181087-0-01 | C-31,32 | |
| " | C-30 | | 110171-0-01 | C-42 | | 114966-0-01 | E-46 | | " | B-43-45 | |
| 110019-0-01 | E-21 | | 110172-0-00 | C-41 | | 114967-0-01 | E-47 | | 181370-0-01 | B-48,65 | |
| 110020-0-01 | A-34 | | 110173-0-00 | C-43,E-5 | | 115199-0-01 | B-40 | | " | B-66,90 | |
| 110021-0-01 | C-67 | | 110174-0-01 | D-38 | | 115819-0-01 | D-12 | | " | 91 | |
| " | D-33 | | 110175-0-01 | C-13 | | 115827-0-01 | D-27 | | 182113-0-01 | B-1-3 | |
| 110022-0-01 | A-35 | | 110177-0-01 | C-8 | | 116186-0-01 | B-83 | | 182115-0-01 | B-59 | |
| 110023-0-00 | A-36 | | 110178-0-01 | C-7 | | 116231-0-01 | A-23,A-61 | | " | C-48,49 | |
| 110024-0-01 | D-32 | | 110179-0-01 | C-9 | | " | D-35 | | 182118-0-01 | 52-55 | |
| 110026-0-01 | A-60 | | 110180-0-01 | C-6 | | 116481-0-01 | C-56 | | " | 61,62 | |
| 110027-0-01 | A-48 | | 110181-0-01 | C-3 | | 117466-0-00 | Z-8 | | 182384-0-01 | C-14,15 | |
| 110028-0-01 | A-50 | | 110182-0-01 | C-4 | | 117548-0-01 | B-86 | | 400163-0-01 | D-19 | |
| 110029-0-01 | A-47 | | 110183-0-01 | C-5 | | 117671-0-02 | C-71 | | " | D-25 | |
| 110030-0-01 | A-54 | | 110184-0-01 | C-1 | | 120048-0-02 | D-11 | | " | | |
| 110031-0-01 | A-51 | | 110185-0-01 | C-2 | | 140121-0-01 | B-42 | | " | | |



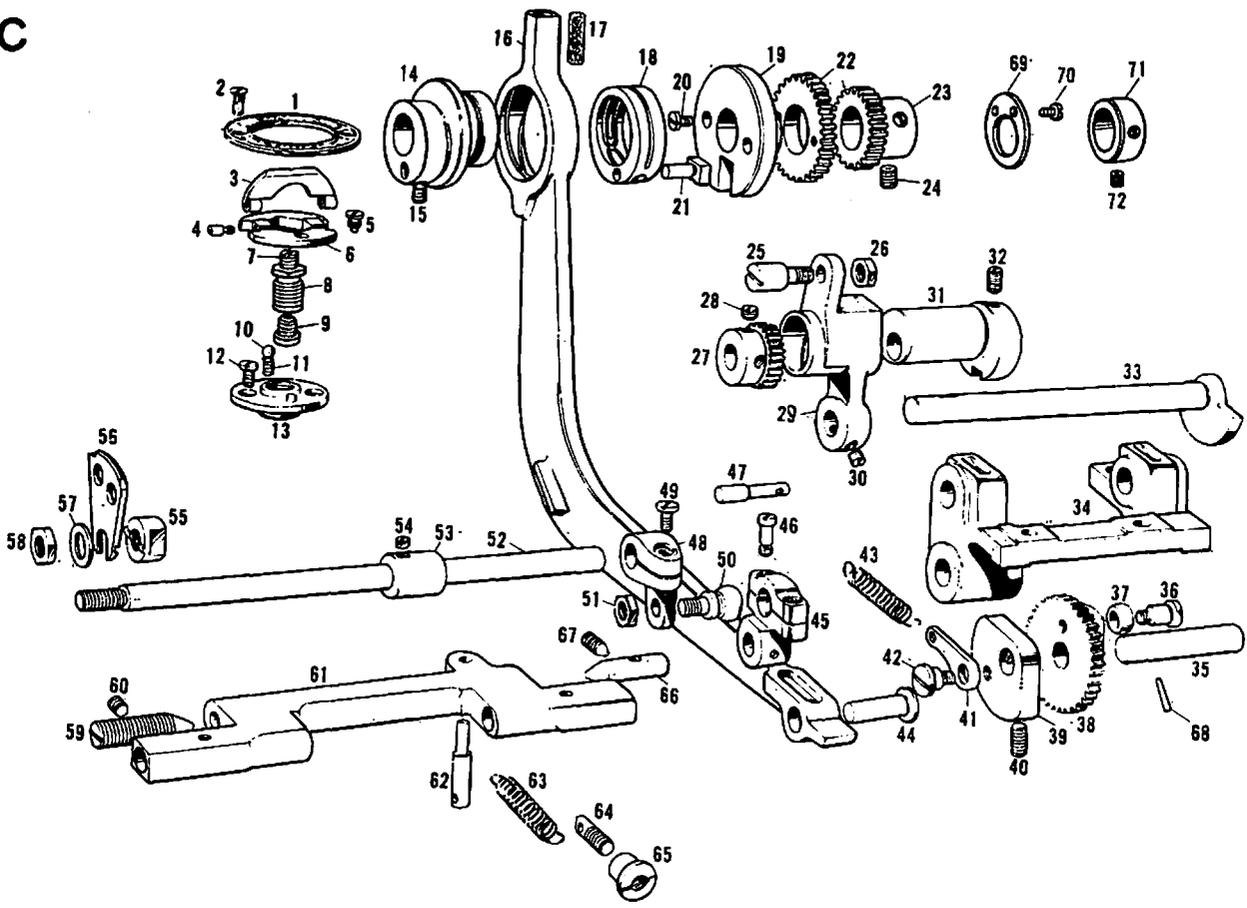
| Ref. No. | Name of parts | Q'ty | Parts No. | Assembly No. | Ref. No. | Name of parts | Q'ty | Parts No. | Assembly No. |
|----------|--------------------------|--------|-------------|--------------|----------|--------------------------|--------|-------------|--------------|
| A-1 | Set Screw for A-2 | 2 pcs | 100541-0-01 | | A-37 | Set Screw for A-36 | 1 pce. | 100522-0-02 | |
| A-2 | Arm Cover Plate | 1 pce. | 110039-0-01 | | A-38 | Oil Pipe Small (1) | 1 " | 110050-0-00 | |
| A-3 | Set Screw for A-4 | 1 " | 110040-0-01 | | A-39 | Oil Pipe Small (3) | 5 pcs. | 110052-0-00 | |
| A-4 | Arm Cover | 1 " | 110038-0-00 | | A-40 | Oil Pipe Small (5) | 2 " | 110054-0-00 | |
| A-5 | Arm | 1 " | 110001-0-01 | | A-41 | Oil Pipe Small (7) | 1 pce. | 110056-0-00 | |
| A-6 | Set Screw for A-5 | 1 " | 110016-0-01 | | A-42 | Oil Pin | 1 " | 143897-0-01 | |
| A-7 | Oil Pipe | 1 " | 110011-0-01 | | A-43 | Felt for Spool Pin | 4 pcs. | 100119-0-01 | |
| A-8 | Oil Felt L14 for A-7 | 1 " | 142579-0-01 | | A-44 | Set Screw for A-42 | 4 " | 101118-0-01 | |
| A-9 | Middle Oil Pipe | 1 " | 110011-0-01 | | A-46 | Set Screw for A-5 | 4 " | 110049-0-01 | |
| A-10 | Oil Felt L32 for A-9 | 1 " | 110105-0-01 | | A-47 | Set Screw for A-50 | 1 pce. | 110029-0-01 | |
| A-11 | Former Oil Pipe | 1 " | 110011-0-01 | | A-48 | Set Collar for A-50 | 1 " | 110027-0-01 | |
| A-12 | Oil Felt L7 for A-11 | 1 " | 107155-0-01 | | A-49 | Set Screw for A-48 | 2 pcs. | 100058-0-03 | |
| A-13 | Thread Guide | 1 " | 110271-0-01 | | A-50 | Table Shaft | 1 pce. | 110028-0-01 | |
| A-14 | Set Screw for A-13 | 1 " | 110272-0-01 | | A-51 | Table Supporter | 1 " | 110031-0-01 | |
| A-15 | Cap for Oil Hole of Arm | 1 " | 104419-0-01 | | A-52 | Set Screw for A-51 | 2 pcs. | 013780-8-14 | |
| A-16 | Top Cover | 1 " | 110007-0-01 | | A-53 | Fastening Screw for A-51 | 2 " | 110033-0-01 | |
| A-17 | Set Screw for A-16 | 2 pcs. | 100368-0-02 | | A-54 | Pin for A-51 | 1 pce. | 110030-0-01 | |
| A-18 | Oil Pipe | 1 pce. | 110011-0-01 | | A-55 | Square Bolt for A-54 | 1 " | 100463-0-01 | |
| A-19 | Oil Pipe | 1 " | 110105-0-01 | | A-56 | Knock Pin for A-51 | 1 " | 110034-0-01 | |
| A-20 | Name Plate "BROTHER" | 1 " | 112528-0-01 | | A-57 | Large Spring for A-51 | 1 " | 110035-0-01 | |
| A-21 | Flat Head Screw for A-20 | 2 pcs. | 100191-0-03 | | A-58 | Small Spring for A-51 | 1 " | 110036-0-01 | |
| A-22 | Model Plate | 1 pce. | 143252-0-01 | | A-59 | Set Screw for A-58 | 1 " | 107274-0-01 | |
| A-23 | Pin for A-22 | 2 pcs. | 116231-0-01 | | A-60 | Table | 1 " | 110026-0-01 | |
| A-24 | Belt Cover | 1 pce. | 110325-0-01 | | A-61 | 116231 Pin | 1 " | 116231-0-01 | |
| A-25 | Set Screw for A-24 | 2 pcs. | 100068-0-02 | | | | | | |
| A-26 | Tension Control Nut | 1 pce. | 110266-0-01 | | | | | | |
| A-27 | Washer for A-26 | 1 " | 144105-0-00 | | | | | | |
| A-28 | Tension Spring | 1 " | 144110-0-01 | | | | | | |
| A-29 | Tension Disc Washer | 1 " | 110265-0-01 | 110263-0-01 | | | | | |
| A-30 | Tension Disc | 2 pcs. | 145446-0-01 | | | | | | |
| A-31 | Tension Stud | 1 pce. | 110264-0-01 | | | | | | |
| A-33 | Tension Thread Guide | 1 " | 110266-0-01 | | | | | | |
| A-34 | Bed | 1 " | 110020-0-01 | | | | | | |
| A-35 | Set Screw for A-34 C-34 | 7 pcs. | 110022-0-01 | | | | | | |
| A-36 | Bed Cover | 1 pce. | 110023-0-00 | | | | | | |

B



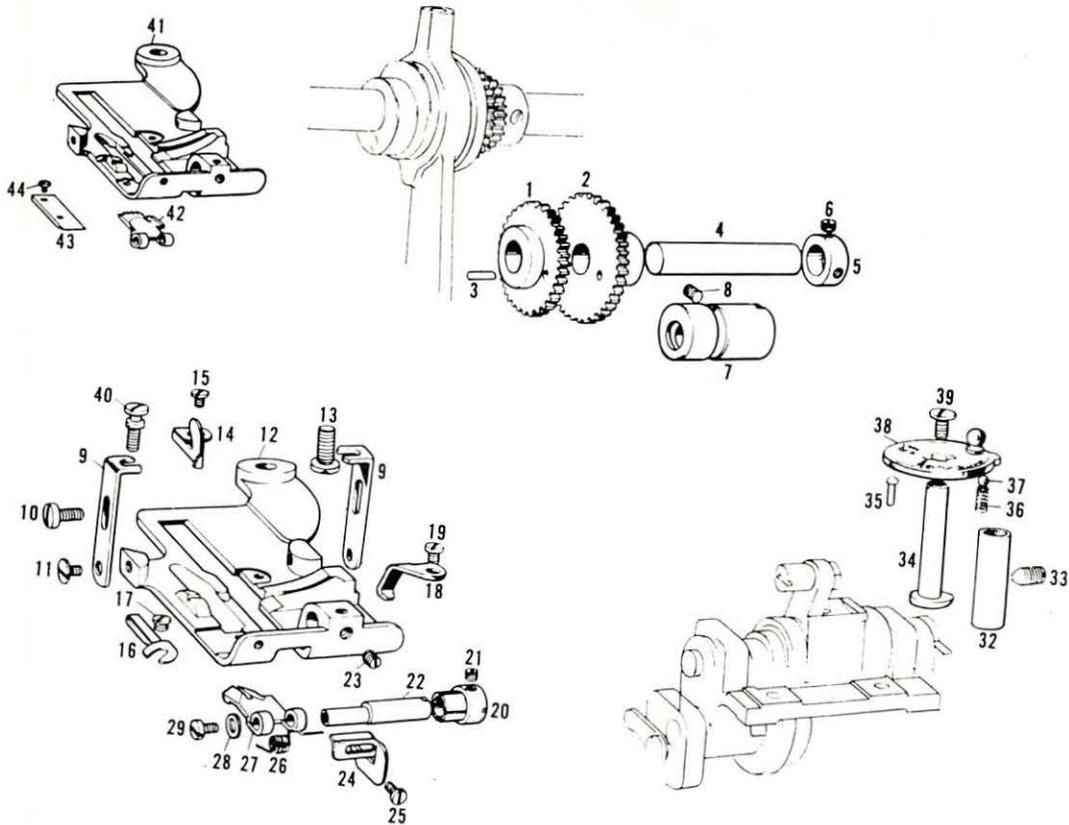
| Ref. No. | Name of parts | Qty | Parts No. | Assembly No. | Ref. No. | Name of parts | Qty | Parts No. | Assembly No. |
|----------|-----------------------------|--------|-------------|--------------|-----------------------------------|--------------------------------|-------------|-------------|--------------|
| B-1 | Stop Motion | 1 pce. | 110202-0-01 | 182113-0-01 | B-90 | Vibration stopper | 1 pce. | 145179-0-01 | 181370-0-01 |
| B-2 | Flat Head Screw for B-1 | 2 pcs. | 105955-0-01 | | B-91 | Screw | 2 pcs. | 145180-0-01 | |
| B-3 | Balance Wheel | 1 pce. | 144883-0-01 | | B-50 | Fastening Screw for B-32 | 2 - | 110087-0-01 | |
| B-4 | Set Screw for B-3 | 2 pcs. | 100016-0-03 | | B-52 | Crank for Driving Needle Shaft | 1 pce. | 110083-0-00 | |
| B-5 | Upper Shaft Bushing Right | 1 pce. | 110002-0-00 | | B-53 | Fastening Screw for B-52 | 1 - | 110085-0-01 | |
| B-6 | Set Screw for B-5, B-18 | 2 pcs. | 110017-0-01 | | B-54 | Needle Shaft Bearing Back | 1 - | 110008-0-00 | |
| B-7 | Feed Adjusting Button | 1 pce. | 110044-0-01 | | B-55 | Needle Shaft | 1 - | 110089-0-01 | |
| B-8 | Feed Adjusting Button Shaft | 1 - | 110045-0-01 | | B-56 | Needle Shaft Bearing Front | 1 - | 110009-0-00 | |
| B-9 | Spring for B-7 | 1 - | 110046-0-00 | | B-57 | Needle Shaft Set Collar | 1 - | 110090-0-01 | |
| B-10 | Bushing for B-7 | 1 - | 110043-0-00 | | B-58 | Set Screw for B-57 | 2 pcs. | 100218-0-02 | |
| B-11 | Set Screw for B-10 | 1 - | 110018-0-01 | B-59 | Needle Arm | 1 pce. | 182115-0-01 | | |
| B-12 | Balance Right | 1 - | 110060-0-01 | B-60 | Fastening Screw for B-59 | 1 - | 110092-0-01 | | |
| B-13 | Set Screw for B-12 | 1 - | 100016-0-03 | B-61 | Needle Presser | 1 - | 110093-0-01 | | |
| B-14 | Set Screw for B-13 | 1 - | 110013-0-03 | B-62 | Needle Presser Pin | 1 - | 110094-0-00 | | |
| B-15 | Balance Left | 1 - | 100061-0-01 | B-63 | Fastening Screw for B-61 | 1 - | 100257-0-07 | | |
| B-16 | Set Screw for B-15 | 1 - | 100016-0-03 | B-64 | Needle LW x 6T ±14 | 1 - | 147311-0-14 | | |
| B-17 | Set Screw for B-15 | 1 - | 100013-0-03 | B-67 | Feed Plate | 1 - | 145167-0-01 | | |
| B-18 | Upper Shaft Bushing Left | 1 - | 110003-0-00 | B-69 | Regulating Wheel | 1 - | 145166-0-01 | | |
| B-19 | Upper Shaft | 1 - | 110059-0-01 | B-72 | Regulator Adjusting Length Switch | 1 - | 145165-0-01 | | |
| B-20 | Spreader crank joint | 1 - | 145187-0-01 | B-68 | Oil Felt | 2 pcs. | 110105-0-01 | | |
| B-21 | Pin | 1 - | 145188-0-01 | B-70 | Ball Presser Spring | 1 - | 110065-0-00 | | |
| B-22 | Screw | 1 - | 145184-0-01 | B-71 | Ball for B-69 | 1 - | 071039-7-50 | | |
| B-23 | Screw | 1 - | 145193-0-01 | B-73 | Set Screw for B-72 | 3 pcs. | 145171-0-01 | | |
| B-24 | Spreader crank | 1 - | 145181-0-01 | B-74 | Feed Link | 1 pce. | 110073-0-01 | | |
| B-26 | Screw | 2 pcs. | 145186-0-01 | B-75 | Feed Link Pin | 1 - | 110074-0-01 | | |
| B-27 | Spreader crank shaft | 1 pce. | 145185-0-01 | B-76 | Set Screw for B-67 | 1 - | 110069-0-01 | | |
| B-30 | Spreader York joint | 1 - | 145189-0-01 | B-77 | Fastening Screw for B-74 | 1 - | 110076-0-01 | | |
| B-31 | Screw | 2 pcs. | 145191-0-01 | B-78 | Feed Link Shaft Bearing | 1 - | 110999-0-00 | | |
| B-38 | Spreader shaft | 1 pce. | 145190-0-00 | B-79 | Feed Adjusting Dial Assembly | 1 - | 110996-0-01 | | |
| B-41 | Screw | 1 - | 145192-0-01 | B-80 | Ball for B-79 | 1 - | 111001-0-01 | | |
| B-47 | Nut | 1 - | 145235-0-01 | B-81 | Ball Presser Spring | 1 - | 111000-0-01 | | |
| B-88 | Screw | 1 - | 145184-0-01 | B-82 | Feed Link Shaft | 1 - | 111002-0-01 | | |
| B-34 | Spreader Connecting lever | 1 - | 145195-0-00 | B-83 | Feed Dog | 1 - | 110070-0-01 | | |
| B-35 | Screw | 1 - | 145197-0-01 | B-83 | Feed Dog for Thin Material | 1 - | 116186-0-01 | | |
| B-36 | Screw | 2 pcs. | 145192-0-01 | B-84 | ASS Washer with Notches | 2 pcs. | 110071-0-01 | | |
| B-37 | Cover | 1 pce. | 145196-0-00 | B-85 | Fastening Screw for B-84 | 2 - | 110072-0-01 | | |
| B-39 | Ball joint | 1 - | 145198-0-01 | B-86 | Oil Felt for B-43 | 2 - | 117548-0-01 | | |
| B-40 | Screw | 1 - | 115199-0-01 | | | | | | |
| B-32 | Spreader Connecting rod | 1 - | 110120-0-01 | | | | | | |
| B-33 | Bushing | 1 - | 110119-0-01 | | | | | | |
| B-42 | Spreader | 1 - | 140121-0-01 | | | | | | |
| B-43 | Ball Connecting rod | 1 - | 143173-0-00 | | | | | | |
| B-44 | Stud | 1 - | 145178-0-01 | | | | | | |
| B-45 | Screw | 2 pcs. | 145175-0-01 | | | | | | |
| B-48 | Screw | 2 - | 145174-0-01 | | | | | | |
| B-65 | Needle Shaft round Cam | 1 pce. | 145176-0-01 | | | | | | |
| B-66 | Screw | 1 - | 145177-0-01 | | | | | | |

C



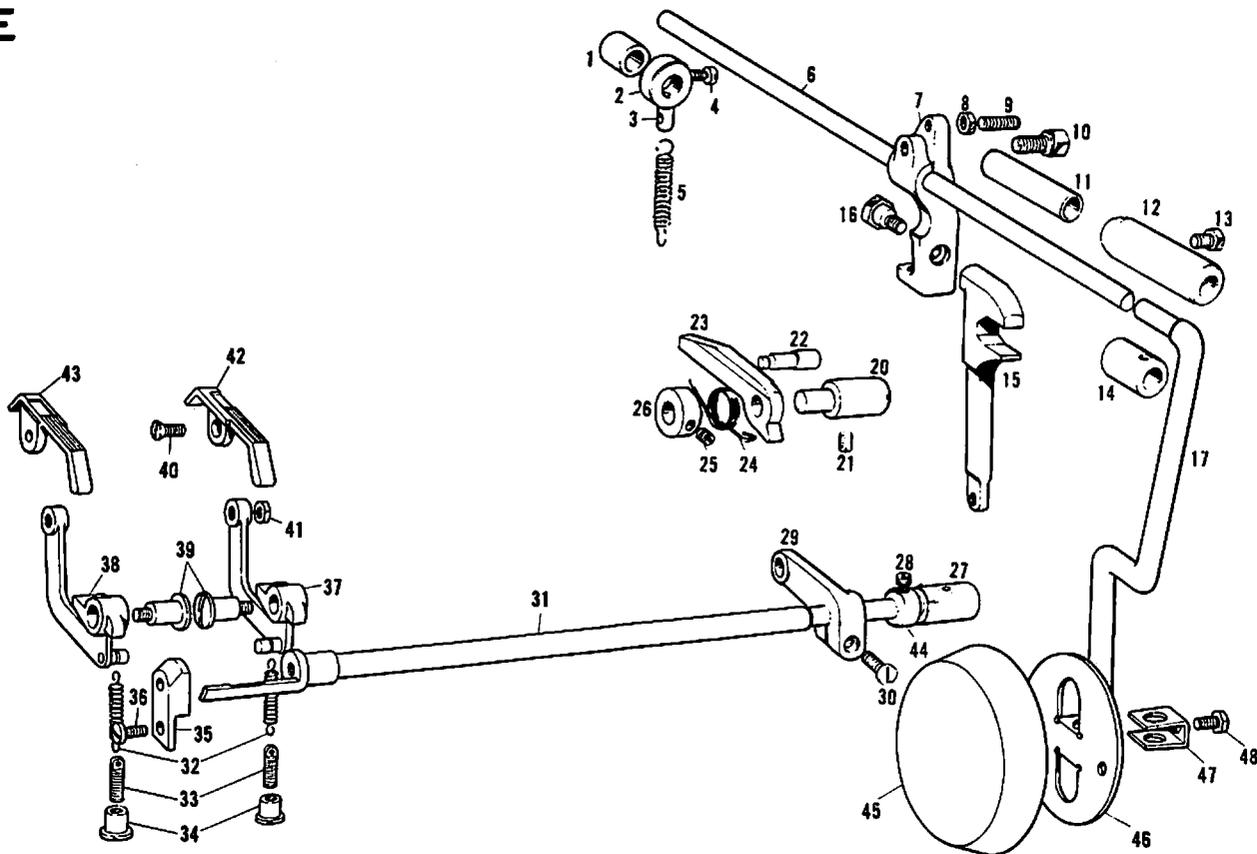
| Ref. No. | Name of parts | Qty | Parts No. | Assembly No. | Ref. No. | Name of parts | Qty | Parts No. | Assembly No. |
|----------|---------------------------------|--------|-------------|--------------|----------|--|--------|-------------|--------------|
| C-1 | Scoop Adjusting Scale Plate | 1 pce. | 110184-0-01 | | C-43 | Spring for C-35 | 1 pce. | 110173-0-00 | |
| C-2 | Flat Head Screw for C-1 | 2 pcs. | 110185-0-01 | | C-44 | Pin for C-29 | 1 - | 110162-0-01 | |
| C-3 | Scoop Adjusting Knob | 1 - | 110181-0-01 | | C-45 | Scoop Adjuster Link Body | 1 - | | |
| C-4 | Shaft for C-3 | 2 pcs. | 110182-0-01 | 180167-0-01 | C-46 | Fastening Screw for Scoop Adjuster Link | 2 pcs. | 110136-0-01 | 110134-0-01 |
| C-6 | Body for C-3 | 1 - | 110180-0-01 | | C-50 | Scoop Adjuster Crank Joint | 1 pce. | | |
| C-5 | Scoop Adjusting stopper | 1 - | 110183-0-01 | | C-47 | Hook for C-35 | 2 pcs. | 110006-0-00 | |
| C-7 | Scoop Adjusting Set Screw | 1 - | 110178-0-01 | | C-48 | Scoop Adjuster Crank | 1 pce. | 110137-0-01 | |
| C-8 | Scoop Adjusting Screw Bush | 1 - | 110177-0-01 | | C-49 | Fastening Screw for C-48 | 1 - | 105328-0-03 | |
| C-9 | Scoop Adjusting Screw | 1 - | 110179-0-01 | | C-52 | Scoop Adjusting Cam Shaft | 1 - | 110147-0-01 | |
| C-10 | Ball for C-6 | 1 - | 071039-7-50 | | C-53 | Set Collar for C-52 | 1 - | 110152-0-01 | |
| C-11 | Skip Selecting Spring | 1 - | 110188-0-00 | | C-54 | Set Screw for C-53 | 1 - | 102716-0-03 | 182118-0-01 |
| C-12 | Fastening Screw for C-13 | 2 pcs. | 100080-0-01 | | C-55 | Installing Plate for Scoop Adjusting Cam | 1 - | 110148-0-01 | |
| C-13 | Base for Scoop Adjusting Knob | 1 pce. | 110175-0-01 | | C-61 | Scoop Adjuster | 1 - | 110141-0-00 | |
| C-14 | Regulating Cam for Crank Rod | 1 - | | | C-62 | Scoop Adjuster Hook Large | 1 - | 110142-0-01 | |
| C-15 | Set Screw for C-14 | 2 pcs. | 107086-0-01 | 182384-0-01 | C-51 | Nut for C-50 | 1 - | 110140-0-01 | |
| C-16 | Crank | 1 pce. | 145200-0-01 | | C-56 | Scoop Adjusting Cam | 1 - | 110151-0-01 | |
| C-17 | Oil Pipe | 1 - | 112735-0-00 | | C-56 | Scoop Adjusting Cam for Thin Material | 1 - | 116481-0-01 | |
| C-18 | Regulator for Crank Rod | 1 - | 145204-0-01 | | C-57 | Washer for C-56 | 1 - | 110149-0-00 | |
| C-19 | Turning Board for Regulator | 1 - | 110129-0-00 | | C-58 | Nut for C-52 | 1 - | 104689-0-01 | |
| C-20 | Fastening Screw C-19 | 2 pcs. | 110130-0-01 | | C-59 | Center for Scoop Adjuster | 1 - | 100074-0-02 | |
| C-21 | Pin for C-19 | 1 pce. | 110126-0-01 | | C-60 | Set Screw for C-59 | 1 - | 107086-0-01 | |
| C-22 | Gear Wheel for C-19 | 1 - | 110131-0-00 | | C-63 | Scoop Adjuster Spring | 1 - | 110144-0-01 | |
| C-23 | Gear Wheel for C-14 | 1 - | 110132-0-00 | | C-64 | Scoop Adjuster Hook Small | 1 - | 110146-0-01 | |
| C-24 | Set Screw for C-23 | 3 pcs. | 110124-0-01 | | C-65 | Adjusting Screw for C-61 | 1 - | 110145-0-01 | |
| C-25 | Link Pin for C-29 | 1 pce. | 110160-0-01 | | C-66 | Scoop Adjuster Center | 1 - | 110155-0-01 | |
| C-26 | Nut for C-25 | 1 - | 110161-0-02 | | C-67 | Set Screw for C-66 | 1 - | 110021-0-01 | |
| C-27 | Scoop Lowering Shaft Gear Wheel | 1 - | 110165-0-00 | | C-68 | Pin for Gear Wheel | 1 - | 100095-0-00 | |
| C-28 | Set Screw for C-27 | 2 pcs. | 110124-0-01 | | C-69 | Cap Plate | 1 - | 110413-0-01 | |
| C-29 | Scooping Crank Rod | 1 pce. | 110159-0-00 | | C-70 | Fastening Screw for C-69 | 2 pcs. | 100080-0-03 | |
| C-30 | Set Screw for C-29 | 2 pcs. | 110018-0-01 | | C-71 | Collar | 1 pce. | 117671-0-02 | |
| C-31 | Scoop Lowering Cam | 1 pce. | 110163-0-00 | 181087-0-01 | C-72 | Set Screw for C-71 | 2 pcs. | 100251-0-01 | |
| C-32 | Set Screw for C-31 | 2 pcs. | 107086-0-01 | | | | | | |
| C-33 | Scoop Lowering Shaft | 1 pce. | 110158-0-01 | | | | | | |
| C-34 | Scoop Lowering Shaft Receiver | 1 - | 146353-0-00 | | | | | | |
| C-35 | Scoop Lowering Shaft Middle | 1 - | 110169-0-00 | | | | | | |
| C-36 | Stud for C-37 | 1 - | 110168-0-01 | | | | | | |
| C-37 | Gear Wheel Roller for C-35 | 1 - | 110167-0-01 | | | | | | |
| C-38 | Gear Wheel for C-35 | 1 - | 110166-0-00 | | | | | | |
| C-39 | Collar for C-35 | 1 - | 110170-0-00 | | | | | | |
| C-40 | Set Screw for C-39 | 2 pcs. | 107343-0-01 | | | | | | |
| C-41 | Hook for C-39 | 1 pce. | 110172-0-00 | | | | | | |
| C-42 | Stud Screw for C-41 | 1 - | 110171-0-01 | | | | | | |

D



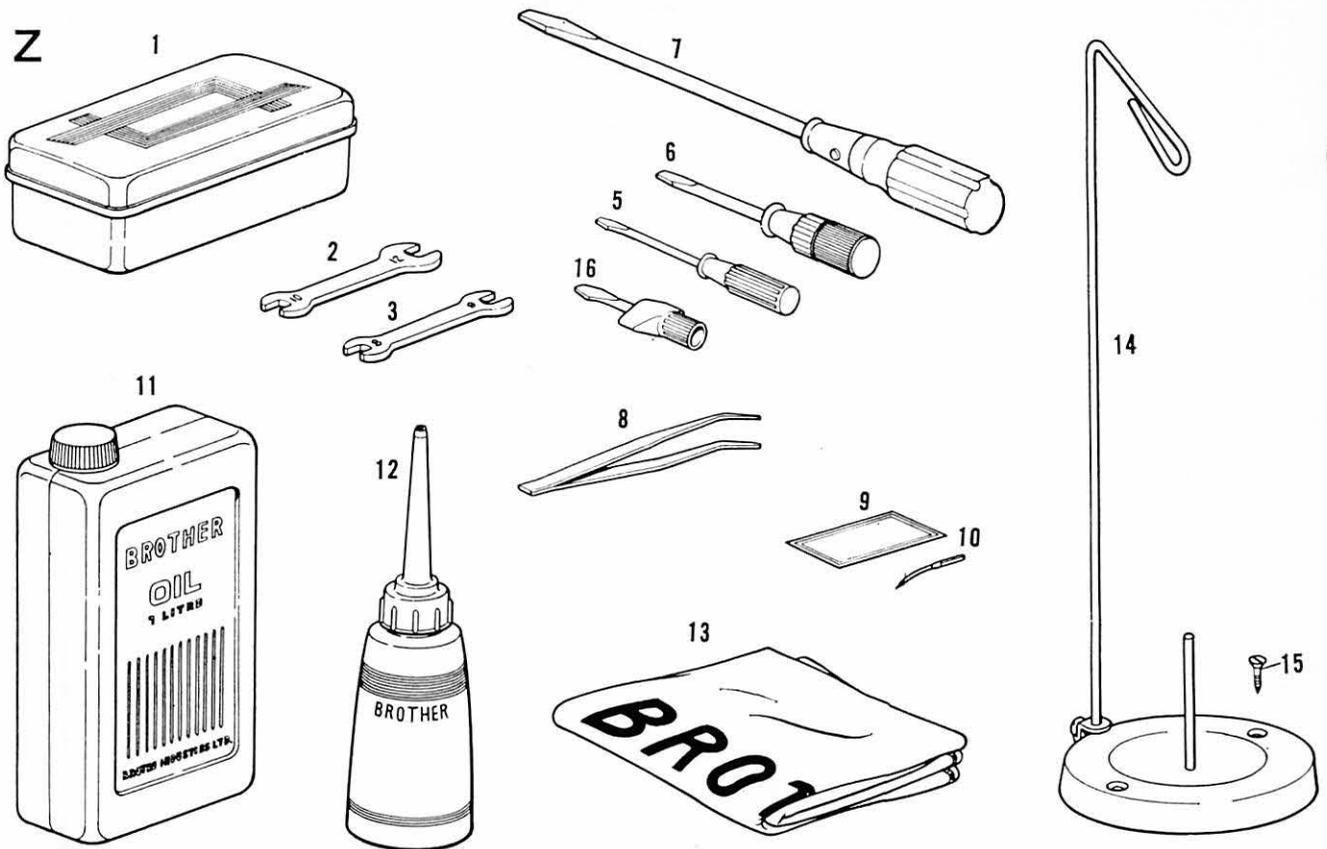
| Ref. No. | Name of parts | Qty | Parts No. | Assembly No. | Ref. No. | Name of parts | Qty | Parts No. | Assembly No. |
|----------|---|--------|-------------|--------------|----------|---|--------|-------------|---------------------------------|
| D-1 | Gear Small | 1 pce. | 110194-0-00 | 110192-0-01 | D-27 | Scoop Adjusting Cam Presser Plate for Thin Material | 1 pce. | 115827-0-01 | |
| D-2 | Gear Large | 1 " | 110193-0-00 | | D-28 | Scoop Adjusting Presser Stud Collar | 1 " | 110067-0-01 | |
| D-3 | Knock Pin for Gear | 2 pcs. | 110196-0-00 | | D-29 | Fastening Screw for D-27 | 1 " | 100393-0-05 | |
| D-4 | Gear Shaft | 1 pce. | 110195-0-01 | | D-32 | Metal for D-34 | 1 " | 110024-0-01 | |
| D-5 | Set Collar for D-4 | 1 " | 110197-0-01 | | D-33 | Set Screw for D-32 | 1 " | 110021-0-01 | |
| D-6 | Set Screw for D-5 | 2 pcs. | 102716-0-01 | | D-34 | Skip Selecting Shaft | 1 " | 110190-0-01 | |
| D-7 | Gear Metal | 1 pce. | 110005-0-00 | | D-35 | Pin for Skip Selector | 1 " | 116231-0-01 | |
| D-8 | Set Screw for D-7 | 1 " | 110017-0-01 | | D-36 | Spring for Skip Selector | 1 " | 110188-0-00 | |
| D-9 | Needle Plate Supporter | 2 pcs. | 110203-0-01 | | D-37 | Ball for D-38 | 1 " | 071039-7-50 | |
| D-10 | Fastening Screw for D-9 | 2 " | 100368-0-01 | | D-38 | Skip Selector Assembly | 1 " | 110174-0-01 | |
| D-11 | Fastening Screw for D-9 | 2 " | 120048-0-02 | | D-39 | Fastening Screw for D-38 | 1 " | 110191-0-01 | |
| D-12 | Needle Plate Assembly | 1 pce. | 110199-0-01 | | D-40 | Adjusting Screw for D-12 | 2 pcs. | 140714-0-01 | |
| D-12 | Needle Plate Assembly for Thin Material | 1 " | 115819-0-01 | | D-41 | Needle plate Assembly | 1 pce. | | 110416-0-01 for B932 only |
| D-13 | Fastening Screw for D-12 | 1 " | 110201-0-01 | | D-42 | Scoop Adjusting Cam Presser Plate | 1 " | 110418-0-01 | |
| D-14 | Thread Handler | 1 " | 110220-0-01 | | D-43 | Cloth guide | 1 " | 110419-0-01 | |
| D-15 | Fastening Screw for D-14 | 1 " | 140530-0-01 | | D-44 | Fastening Screw for D-43 | 2 pcs. | 105213-0-01 | |
| D-16 | Needle Receiver | 1 " | 110214-0-01 | | | | | | |
| D-17 | Fastening Screw for D-16 | 1 " | 110215-0-01 | | | | | | |
| D-18 | Presser for D-26 | 1 " | 110218-0-01 | | | | | | |
| D-19 | Fastening Screw for D-18 | 1 " | 400163-0-01 | | | | | | |
| D-20 | Bushing for D-22 | 1 " | 110206-0-01 | | | | | | |
| D-21 | Set Screw for D-20 | 1 " | 107055-0-01 | | | | | | |
| D-22 | Scoop Adjusting Cam Presser Stud | 1 " | 110208-0-01 | | | | | | |
| D-23 | Set Screw for D-12 | 1 " | 102716-0-03 | | | | | | |
| D-24 | Needle Plate Ruler | 1 " | 143932-0-01 | | | | | | |
| D-25 | Fastening Screw for D-24 | 1 " | 400163-0-01 | | | | | | |
| D-26 | Scoop Adjusting Cam Presser Spring | 1 " | 110209-0-01 | | | | | | |
| D-27 | Scoop Adjusting Cam Presser Plate | 1 " | 143935-0-01 | | | | | | |

E



| Ref. No. | Name of parts | Qty | Parts No. | Assembly No. | Ref. No. | Name of parts | Qty | Parts No. | Assembly No. |
|----------|--|--------|-------------|--------------|----------|-----------------------------------|--------|-------------|--------------|
| E-1 | Collar Small for Knee Lifter Plate Shaft | 1 pce. | 110224-0-01 | | E-34 | Nut for E33 | 2 pcs. | 110252-0-01 | |
| E-2 | Set Collar for Knee Lifter Plate Shaft | 1 " | 110225-0-01 | | E-35 | Supporter for Presser Foot | 1 pce. | 145234-0-01 | |
| E-3 | Hook for E2 | 1 " | 110226-0-01 | | E-36 | Fastening Screw for E-35 | 1 " | 100522-0-02 | |
| E-4 | Fastening Screw for E2 | 1 " | 100541-0-01 | | E-37 | Presser Foot Arm Right Assembly | 1 " | 145225-0-01 | |
| E-5 | Spring for E3 | 1 " | 110173-0-01 | | E-38 | Presser Foot Arm Left Assembly | 1 " | 145228-0-01 | |
| E-6 | Knee Lifter Plate Shaft | 1 " | 110223-0-01 | | E-39 | Stud Screw for E38 | 2 pcs. | 145229-0-01 | |
| E-7 | Lever for E6 | 1 " | 110228-0-00 | | E-40 | Flat Head Screw for E-42, E-43 | 2 " | 145232-0-01 | |
| E-8 | Nut for E6 | 1 " | 102853-0-01 | | E-41 | Nut for E-40 | 2 " | 145233-0-01 | |
| E-9 | Set Screw for E7 | 1 " | 110230-0-01 | | E-42 | Presser Foot Right | 1 pce. | 145230-0-01 | |
| E-10 | Fastening Screw for E7 | 1 " | 017781-4-12 | | E-43 | Presser Foot Left | 1 " | 145231-0-01 | |
| E-11 | Collar Large for E6 | 1 " | 110234-0-00 | | E-44 | Set Collar for E31 | 1 " | 110243-0-01 | |
| E-12 | Joint for E6 | 1 " | 110235-0-01 | | E-45 | Knee Lifter Plate Cover | 1 " | 140503-0-01 | |
| E-13 | Fastening Screw for E12 | 4 pcs. | 110236-0-01 | | E-46 | Knee Lifter Plate | 1 " | 114966-0-01 | 180929-0-01 |
| E-14 | Metal for E6 | 1 pce. | 110004-0-00 | | E-47 | Knee Lifter Plate Stopper | 1 " | 114967-0-01 | |
| E-15 | Presser Lower Link | 1 " | 110232-0-01 | | E-48 | Set Screw for E-47 | 1 " | 110087-0-01 | |
| E-16 | Fastening Screw for E7 | 2 pcs. | 110233-0-01 | | | | | | |
| E-17 | Knee Lifter Bar | 1 pce. | 110237-0-01 | | | | | | |
| E-20 | Knee Lifter Plate Lever Stopper Stud | 1 " | 110259-0-01 | | | | | | |
| E-21 | Set Screw for E20 | 1 " | 110019-0-01 | | | | | | |
| E-22 | Skip Cam Joint Spring Supporter | 1 " | 110015-0-00 | | B-83 | Feed Dog | | 116186-0-01 | |
| E-23 | Knee Lifter Plate Lever Stopper | 1 " | 110260-0-01 | | C-56 | Scoop Adjusting Cam | | 116481-0-01 | |
| E-24 | Spring for E23 | 1 " | 110261-0-01 | | D-12 | Needle Plate Assembly | | 115819-0-01 | |
| E-25 | Set Screw for E-26 | 1 " | 100289-0-01 | | D-27 | Scoop Adjusting Cam Presser Plate | | 115827-0-01 | |
| E-26 | Collar for E23 | 1 " | 110262-0-00 | | | | | | |
| E-27 | Metal for Presser Foot Stud | 1 " | 110258-0-00 | | | | | | |
| E-28 | Set Screw for E-44 | 1 " | 100218-0-02 | | | | | | |
| E-29 | Presser Lowering Rod | 1 " | 145223-0-00 | 145241-0-01 | | | | | |
| E-30 | Fastening Screw for E29 | 1 " | 145224-0-01 | | | | | | |
| E-31 | Presser Foot Bar | 1 " | 145222-0-01 | | | | | | |
| E-32 | Spring for Presser Foot Arm | 2 pcs. | 110250-0-01 | | | | | | |
| E-33 | Hook for Presser Foot Arm | 2 " | 110251-0-01 | | | | | | |

PARTS FOR THIN MATERIALS (B931-1A)



| Ref. No. | Name of parts | Q'ty | Parts No. | Assembly No. | Ref. No. | Name of parts | Q'ty | Parts No. | Assembly No. |
|----------|----------------------|--------|-------------|--------------|----------|---------------------|--------|-------------|--------------|
| Z-1 | Accessory box | 1 pce. | 110436-0-01 | | Z-15 | Screw | 2 pcs. | 100447-0-00 | |
| •Z-2 | Spanner 10×12 | 1 " | 107780-0-01 | | Z-16 | Screw driver 4.5×45 | 1 pce. | 110878-0-01 | |
| •Z-3 | Spanner 8×9 | 1 " | 100887-0-01 | | | | | | |
| •Z-5 | Screw driver 2.6×70 | 1 " | 105344-0-01 | | | | | | |
| •Z-6 | Screw driver 5.5×75 | 1 " | 102629-0-04 | | | | | | |
| Z-7 | Screw driver 6.4×204 | 1 " | 100472-0-01 | | | | | | |
| •Z-8 | Tweezer | 1 " | 117466-0-00 | | | | | | |
| •Z-9 | Needle bag | 1 " | 108962-0-01 | | | | | | |
| •Z-10 | Needle LW×6T #14 | 5 pcs. | 147311-0-14 | | | | | | |
| Z-11 | Oil | 1 pce. | 145277-0-03 | | | | | | |
| Z-12 | Oiler | 1 " | 114483-0-01 | | | | | | |
| Z-13 | Head Cover | 1 " | 144227-0-01 | | | | | | |
| Z-14 | Cotton Stand | 1 " | 109854-0-01 | | | | | | |

Remarks

1. The parts with mark are in accessory box.
2. The following parts are enclosed in the accessory box for our packing convenience.
Ref. No. •A-44, •A-46, •A-53

PARTS LIST for CM2-B932-1

This list shows the different parts from Model CM2-B931-1 other parts are same as CM2-B931-1

| Ref. No. | Name of parts | Q'ty | Parts No. | Assembly No. | Ref. No. | Name of parts | Q'ty | Parts No. | Assembly No. |
|----------|--------------------------------------|--------|-------------|--------------|----------|---------------------|--------|-------------|--------------|
| A-22 | Model plate | 1 pce. | 143253-0-01 | | D-43 | Cloth guide | 1 pce. | 110419-0-01 | |
| A-34 | Bed | 1 " | 110410-0-01 | | D-44 | Screw | 2 pcs. | 105213-0-01 | |
| A-36 | Bed Cover | 1 " | 110415-0-01 | | E-31 | Presser Foot Bar | 1 pce. | 110420-0-01 | |
| A-37 | Screw | 2 pcs. | 100541-0-01 | | E-37,38 | Presser Foot Arm | 1 " | 110421-0-01 | |
| B-5 | Upper shaft bushing right | 1 pce. | 110210-0-00 | | E-39 | Stud Screw | 1 " | 110249-0-01 | |
| C-14 | Regulating Cam for Crank Rod | 1 " | | 181083-0-01 | E-40 | Screw | 1 " | 110424-0-01 | |
| C-15 | Screw | 2 pcs. | 107086-0-01 | | E-42,43 | Presser Foot | 1 " | 110422-0-01 | |
| C-16 | Crank | 1 pce. | 110411-0-01 | | Z-16 | Screw Driver 4.5×45 | 1 " | 110878-0-01 | |
| C-55 | Installing Plate (Thin Materials) | 1 " | 141124-0-01 | | | | | | |
| C-56 | Scoop Adjusting Cam | 1 " | 110425-0-01 | | | | | | |
| C-56 | Scoop Adjusting Cam (Thin Materials) | 1 " | 141123-0-01 | | | | | | |
| C-69 | Cap Plate | 1 " | 110413-0-01 | | | | | | |
| C-70 | Screw | 2 pcs. | 100080-0-03 | | | | | | |
| C-71 | Collar | 1 pce. | 117671-0-02 | | | | | | |
| C-72 | Screw | 2 pcs. | 100251-0-01 | | | | | | |
| D-32 | Metal | 1 pce. | 110431-0-01 | | | | | | |
| D-41~44 | Needle Plate Assembly | 1 " | 110416-0-01 | | | | | | |
| D-42 | Scoop adjusting Cam Presser Plate | 1 " | 110418-0-01 | | | | | | |



118-931, 932
195931-0-12
Printed in Japan